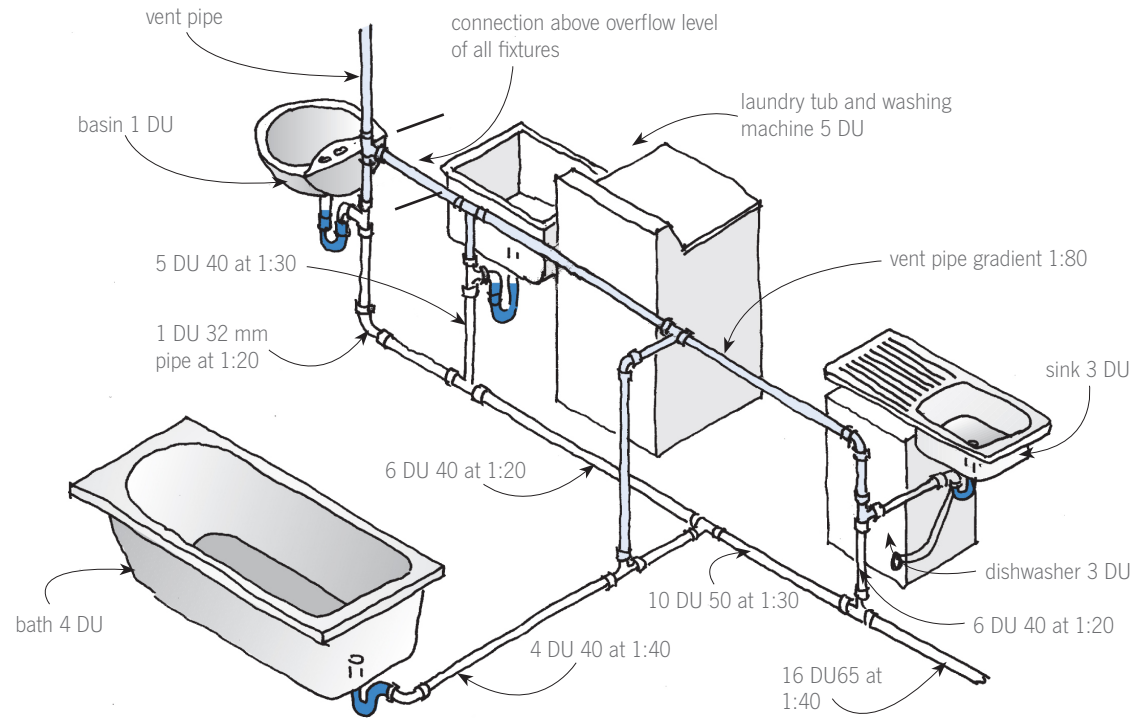


**Example of discharge pipe sizing**

© BRANZ 2009



DU = discharge unit